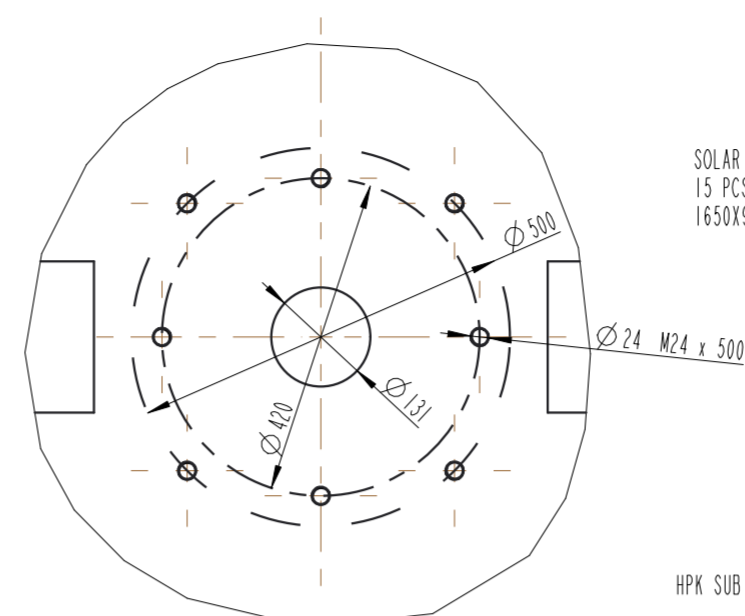
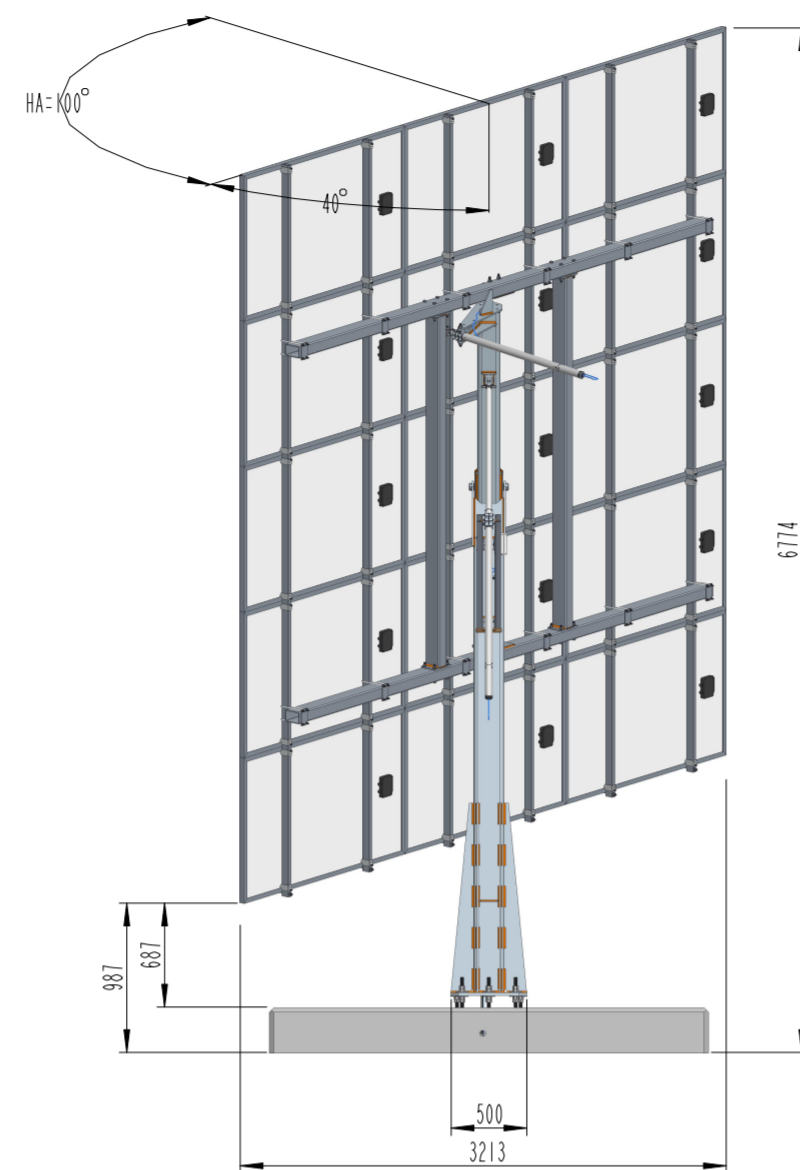
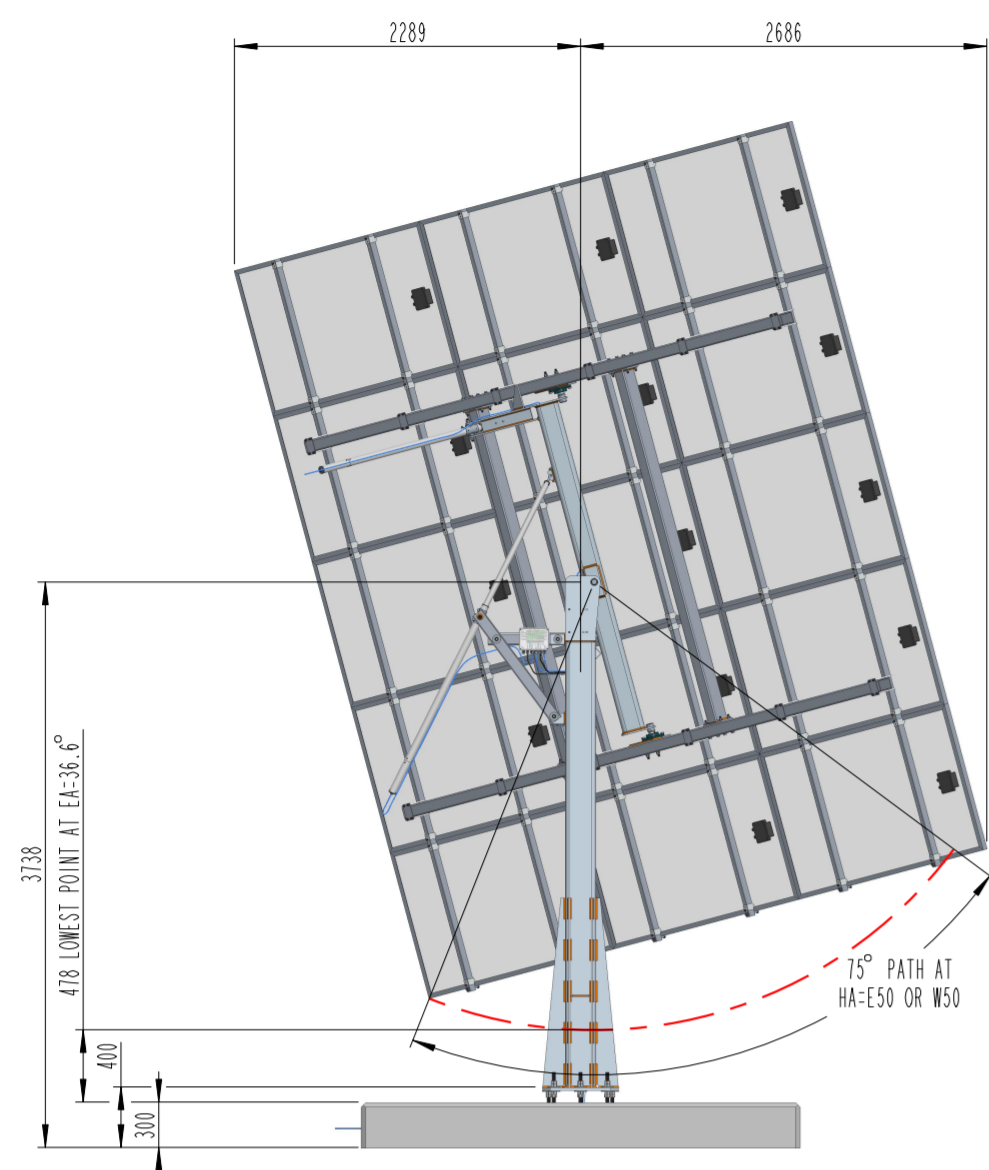
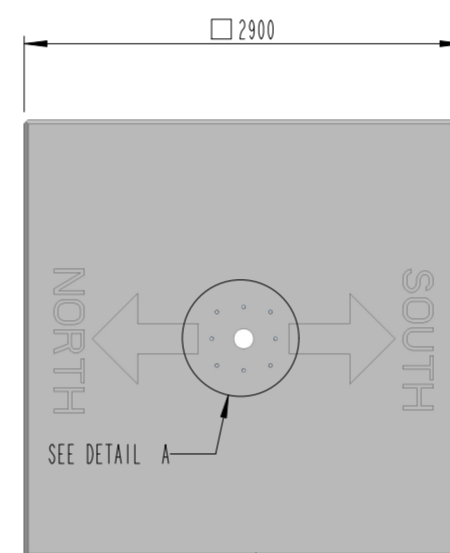


No. of changes on drawing:	Date:	Checked & approved by:
----------------------------	-------	------------------------



DETAIL A
SCALE 0,100
FIXATION DETAIL
FOR POLE



CONCRETE BLOCK

SOLAR PANELS
15 PCS BY DIM
1650X995 MM

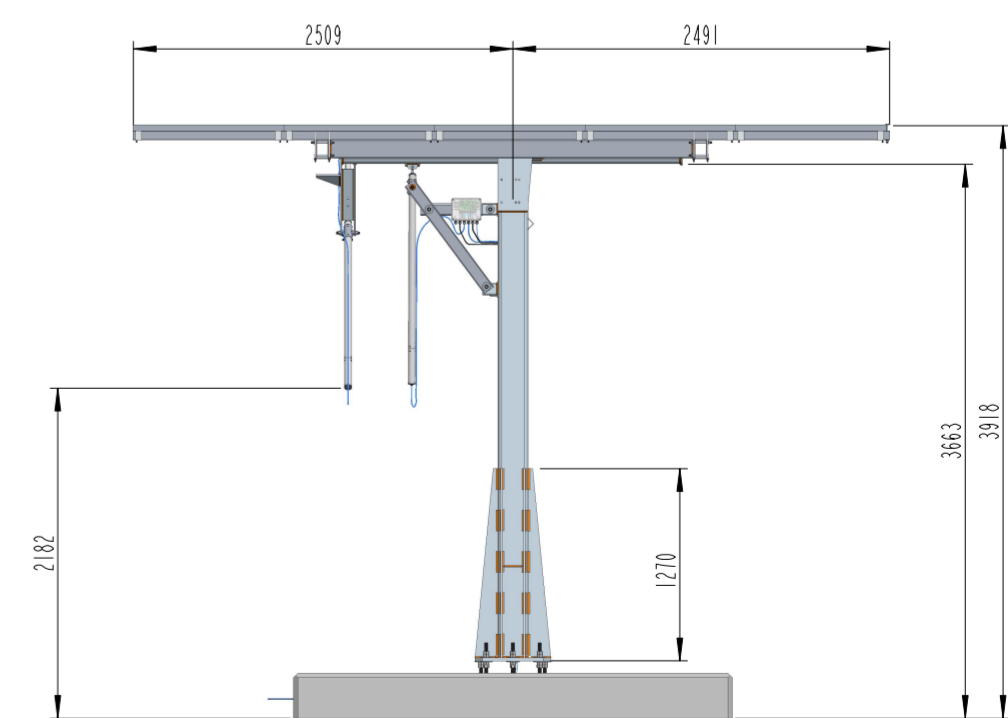
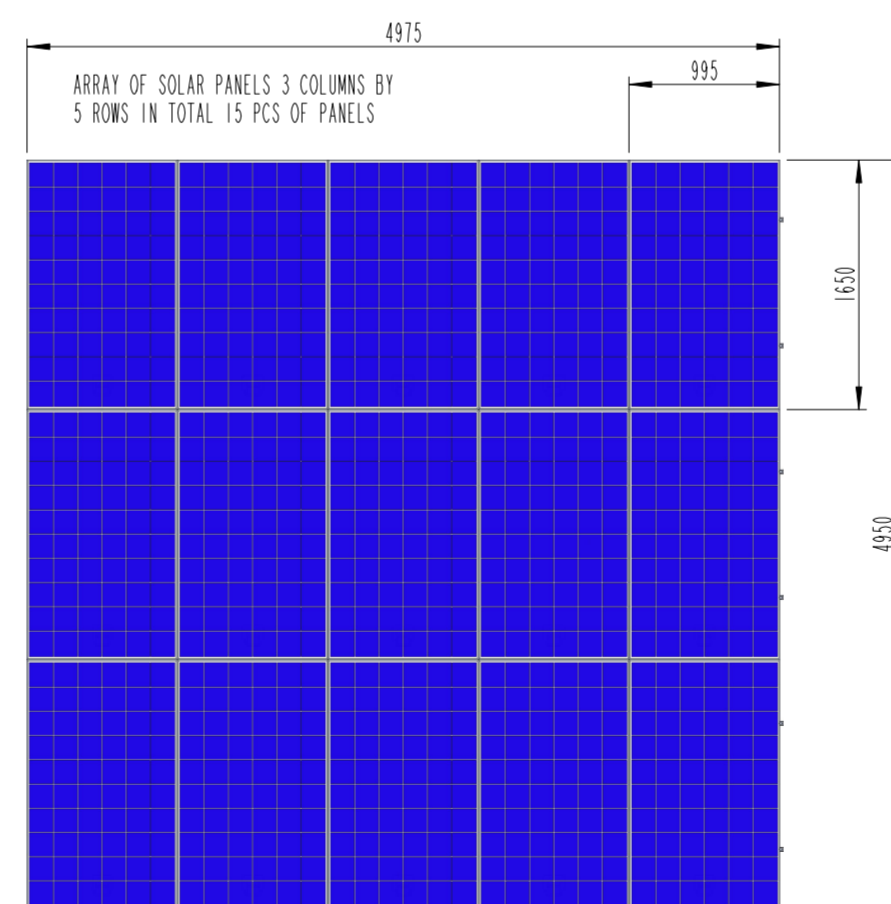
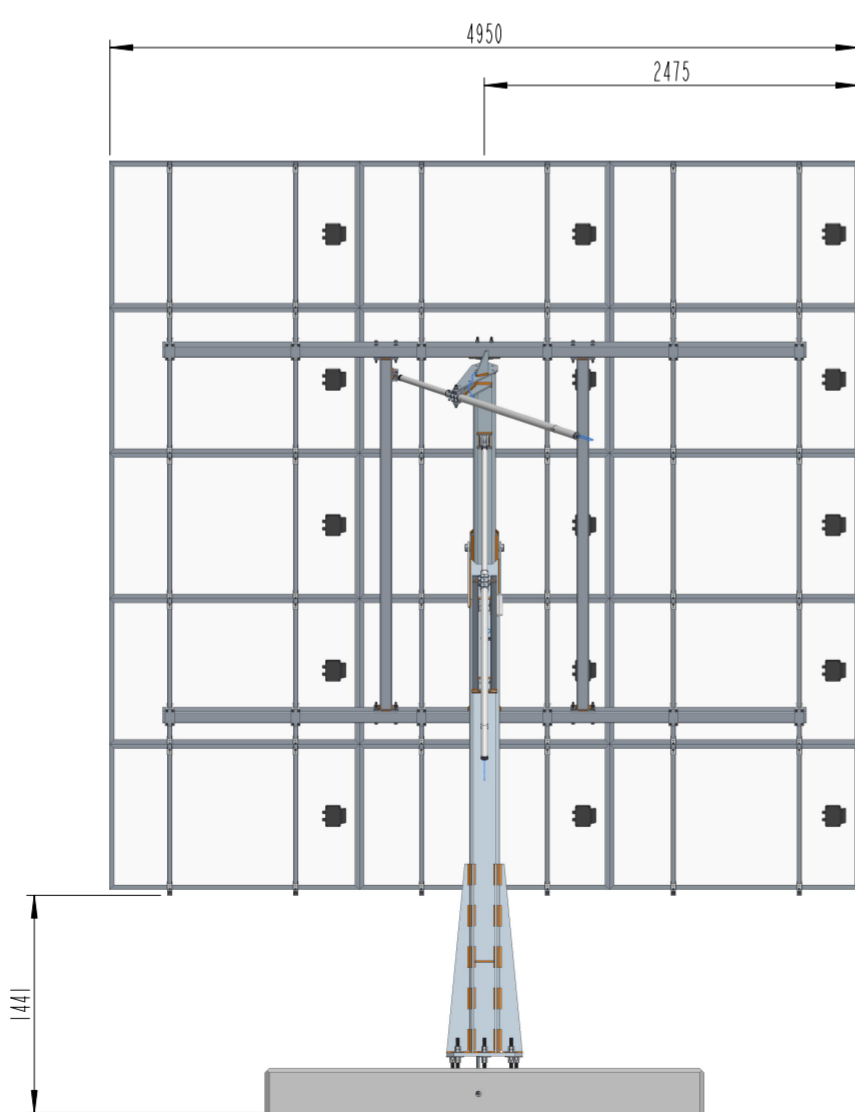
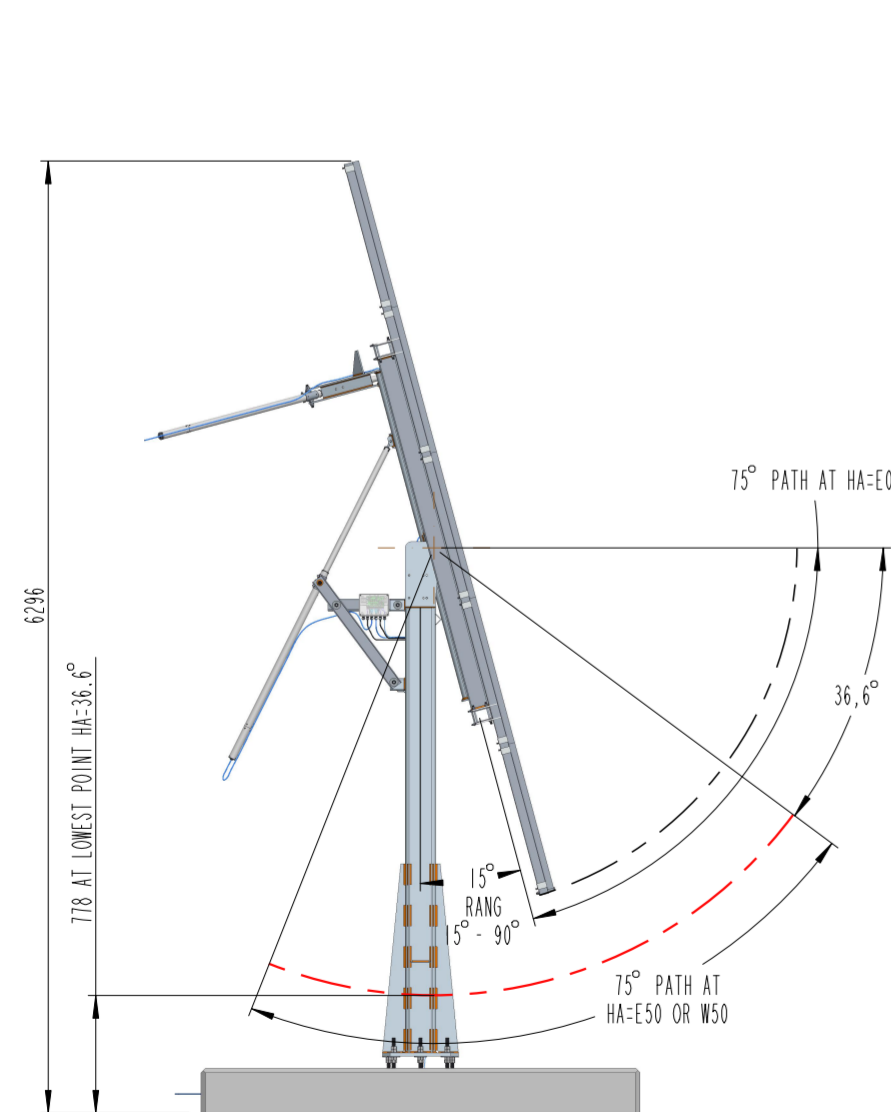
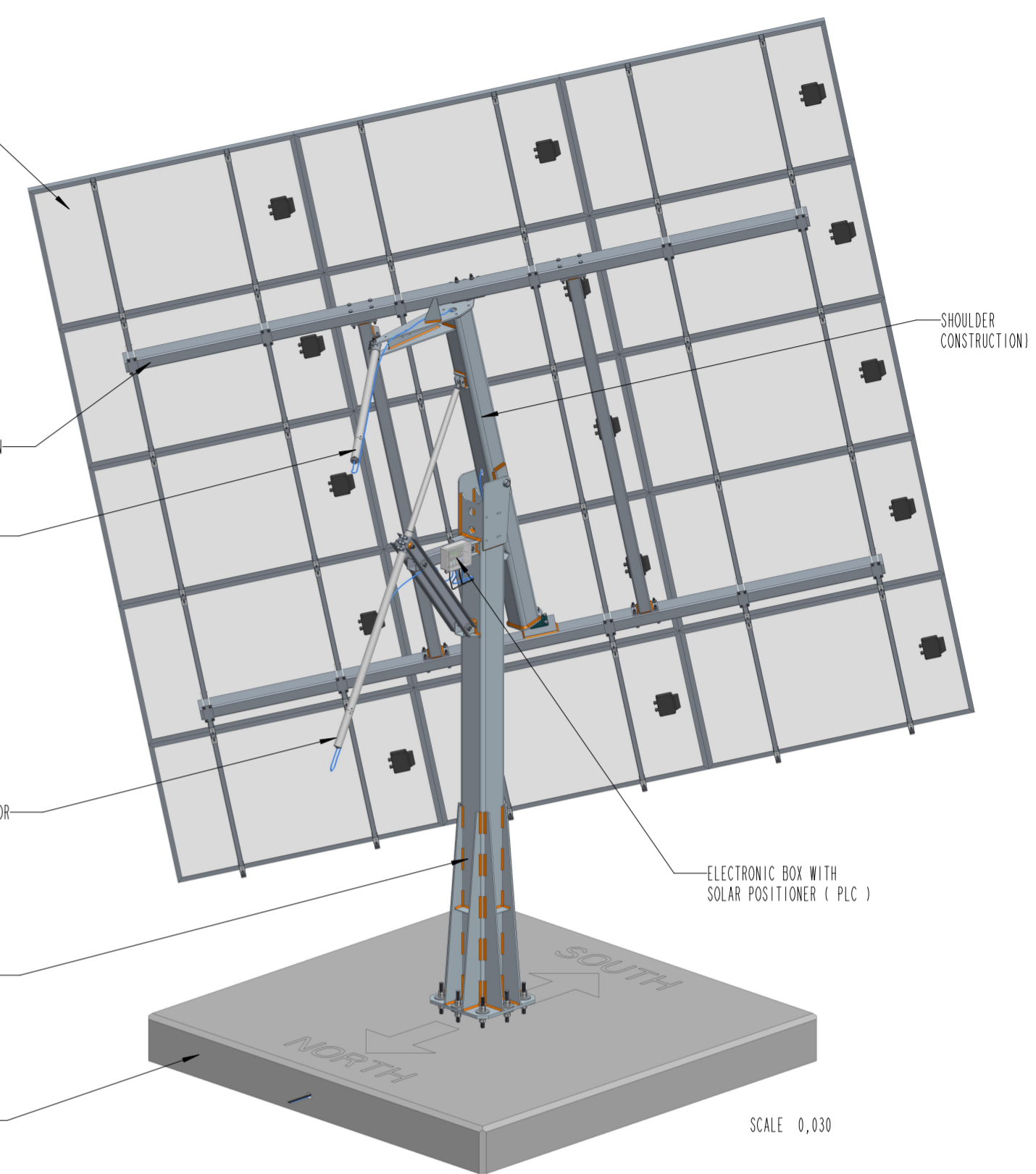
HPK SUB CONSTRUCTION

HOOR ANGLE MOTOR

ELEVATION ANGLE MOTOR

POLE CONSTRUCTION

CONCRETE BLOCK



- PATH LOWEST POINT OF TRACKER AT HA=EO
- PATH LOWEST POINT OF TRACKER AT HA-E50 OR W50

ATTENTION:
 - CONCRETE BLOCK AND SOLAR PANELS ARE NOT PART OF A TRACKER, BUT HERE ARE INCLUDED FOR COMPLETE OUTLOOK
 - ALLOWED WIND SPEED IN WORKING POSITION IS 70KM/H
 - ALLOWED WIND SPEED IN HORIZONTAL POSITION IS 180KM/H (WIND SENSOR AND FUNCTION THAT TRACKER ORIENT BOTH AXES SO THE SOLAR PANELS ARE IN HORIZONTAL POSITION !)
 - ALLOWED SNOW POSITION IS MAXIMAL VERTICAL (15°)

0153	1	Sestav / Assembly	25m2	N7	ISO 2768 M	Welding assembly with hot dip plating by EN ISO1461		
Position:	Quantity:	Material:	Size:	Open roughness:	Open tolerances:	Treatment & Remarks:		
Bolka B.	Bolka J.	Bolka B.	0153	ST44M3V15P	0153 / A	0,020	1365610,615 g	
Drawn by:	Checked by:	Approved by:	EAN code / standard:	Code #2:	No. of drawing:	Scale:	Mass:	
SAT CONTROL		Description: Solar tracker ST44M3V15P for 15 panels (25m2)			Latest version:	Page:	Date:	
Sat Control d.o.o. Pozenik 10, SI-4207 CERKLJE - SLOVENIA - EU		File: SOL_TRA_SMA4M3V15P_HA-E0.EA15 / SOL_TRA_SMA4M3V15P			VI	1/1	02.11.16	